

SMS FLATSCREEN POLYTECH



If your screen is as thin as a painting – show it!

The world's thinnest and lightest bracket, for mounting your flatscreen monitor really close to the wall. The standard design of this fitting is only 12 mm thick. And it's made from a durable synthetic material with a 21-year guarantee. Suitable for screens with dimensions 26-42" and maximum weight 30 kg. An intermediate spacer for mounting screens with contacts that face backwards is included (adds 25 mm to the thickness, to allow space for the contacts).

- | | | | |
|--|---|---|--------------------------------|
| <input type="radio"/> Ceiling | <input type="radio"/> Heavy weight | <input checked="" type="radio"/> Fixed | <input type="radio"/> Variable |
| <input checked="" type="radio"/> Wall | <input checked="" type="radio"/> Middle weight | <input type="radio"/> Swivel | <input type="radio"/> UniSlide |
| <input type="radio"/> Floor | <input type="radio"/> Light weight | <input type="radio"/> Tilt | <input type="radio"/> Hidden |
| <input type="radio"/> Table | | <input type="radio"/> 3D | <input type="radio"/> Double |
| | | <input type="radio"/> Mobile | |

SMS FLATSCREEN POLYTECH

INFO

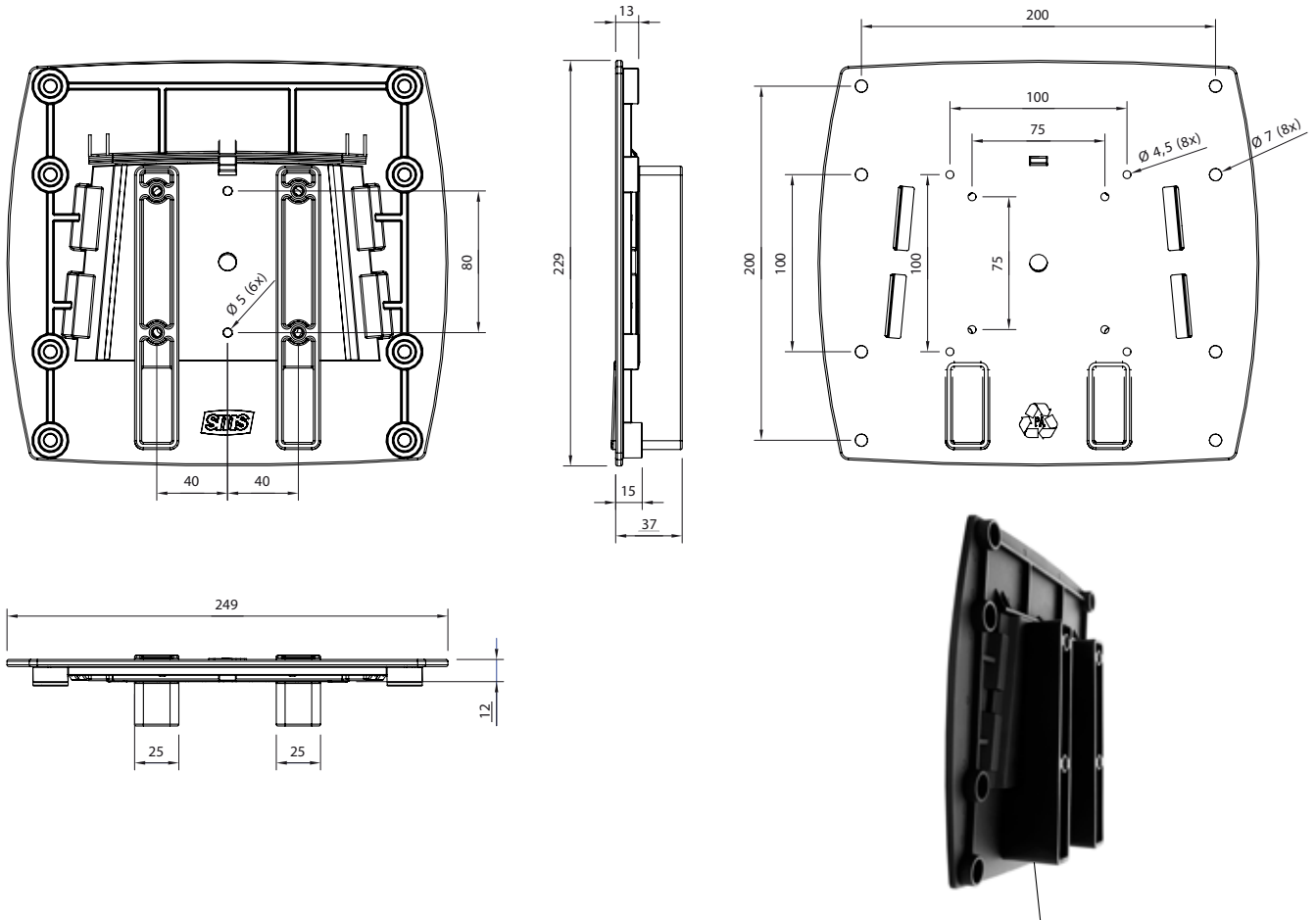
- Finish: Black
- Maximum load: 30 kg
- Weight: 0.4 kg
- Suitable for screens with hole patterns of maximum dimensions 75x75/100x100/200x100/200x200.
- Thickness: 12 mm/37 mm
- Intermediate spacer allows the bracket to be used with screens with backward facing contacts.
- Bracket dimensions: 229x249 mm
- Hole dimensions: M4, M5, M6.

ARTICLE NO.

FS011039

DESCRIPTION

SMS Flatscreen Polytech



Intermediate spacer for mounting screens with backward-facing contacts is included (adds 25 mm to the thickness, to allow space for the contacts).



SMART MEDIA SOLUTIONS

www.SmartMediaSolutions.se